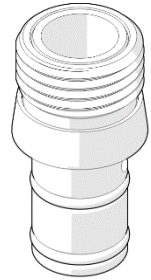


Exposed Assembly CP-BS Lead Safe™ 15 BSP Male Outlet Swivel Adaptor



PRODUCT CODES

- 175.92.00.00

SPECIFICATIONS

- Can be used for public applications such as caravan parks, hotels/motels, public housing, portable housing, single brick houses etc.
- Lead Safe™ brass construction.*

IMPORTANT: All taps are tested in accordance with AS/NZS 3718 and leave our premises in good working order.

*Our Lead Safe™ product range is compliant with the Lead-Free Requirements of the NCC 2022 Vol. Three, Clause A5G4(2) and NSF/ANSI 372.
**Any flow controller incorporated in the outlet to be tightened to prevent removal by hand. As Per AS3718.

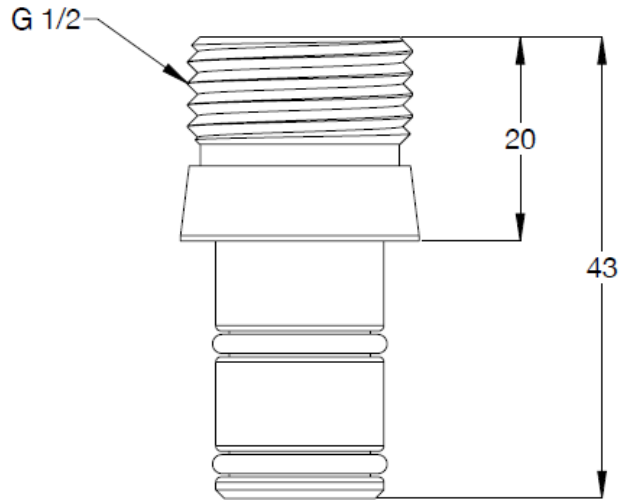
WARNINGS: Special attentions to be paid on notes, photos, images, or drawings of assembly steps marked with the warning symbol.



TECHNICAL DATA

| | | |
|---|------------------|-----|
| Inlet | Spout Connection | |
| Outlet | G ½" - Male | |
| Working Pressure Range (kPa) | Min | 50 |
| | Max | 500 |
| Working Temperature Range (°C) | Min | 5 |
| | Max | 65 |
| Construction | Brass | |
| Finish | Chrome | |
| NOTE: Galvin Engineering continually strive to improve their products. Specifications may change without notice. | | |

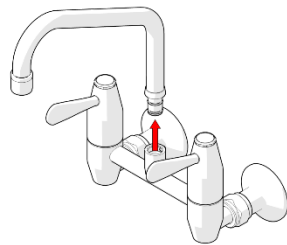
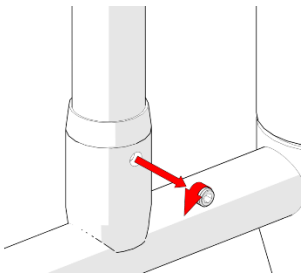
DIMENSIONS



INSTALLATION

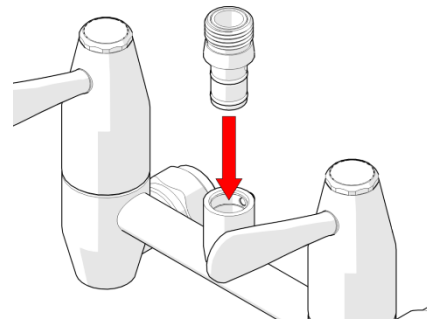
INSTALLATION COMPLIANCE: Galvin Engineering products must be installed in accordance with these installation instructions and in accordance with AS/NZS 3500, the PCA and your local regulatory requirements. Water and/or electrical supply conditions must also comply to the applicable national and/or state standards. Failing to comply with these provisions shall void the product warranty and may affect the performance of the product.

Note: Assembly body used is for example purposes only. Swivel adaptor can fit to any swivel body corresponding its size.



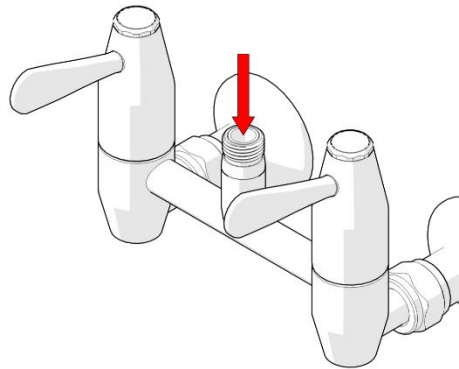
1. Remove Outlet

- Unscrew grub screw at the back of the tap
- Remove currently attached outlet



2. Insert Swivel Adaptor

- Insert swivel adaptor and secure with grub screw (not supplied)



3. Insert intended outlet

- Screw in intended outlet onto the swivel adaptor as needed.
- Once assembled, check for correct operation.

TROUBLESHOOTING

| PROBLEM | CAUSE | RECTIFICATION |
|---------------|----------------------------|--|
| No water flow | Obstruction on outlet | Check if there are obstructions hindering the water flow in the inserted outlet and take it out. |
| | Water supply not turned on | Turn on water supply |

WARRANTY

Galvin Engineering products are covered under our Manufacturer's Warranty. Galvin Engineering products must be installed in accordance with the installation instructions and in accordance with AS 3500 and NCC Volume Three, relevant Australian Standards and local authorities applicable to product being installed. Water and electrical supply conditions must also comply to the applicable national and/or state standards, failing to comply with these provisions may void the product warranty and affect performance of the product.

Please visit www.galvinengineering.com.au to view the full warranty, our Installation Compliance and Maintenance & Cleaning information as well as any other additional information.